



**BACHMANN
INDUSTRIES, INC.**

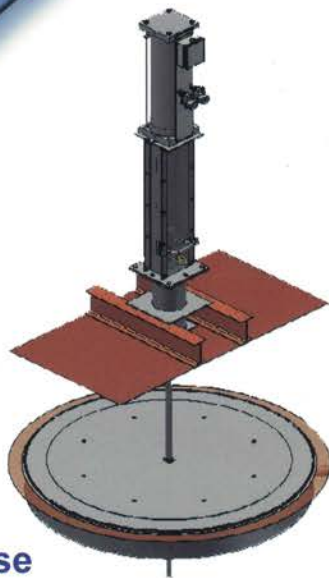
Custom Engineered Products & Solutions

- Utility and Industrial Dampers
- Expansion Joints
- Combustion Turbine Exhaust Systems
- Aftermarket Sales & Service



"Defining the Leading Edge in Technology and Economy Worldwide"®

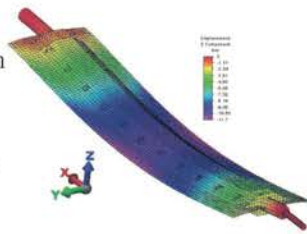
 **BACHMANN**



Innovation and Expertise

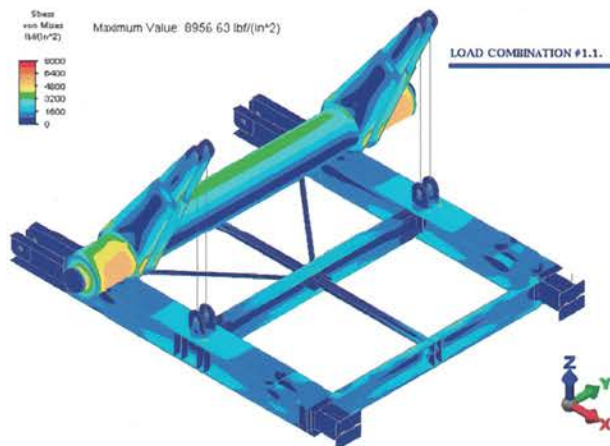
Bachmann Industries has earned a preeminent position in the competitive world market for dampers and expansion joints. Bachmann supplies custom-engineered solutions for:

- Combustion Turbine Exhaust System
- SCR & FGD Bypass Systems
- APC Systems
- Petrochemical and Refining Systems
- Pulp & Paper Mill Processes
- Steel & Copper industries
- Cement processing plants
- Biomass and Waste to Energy plants



Bachmann's team of dedicated engineers, designers, technicians and craftsmen work closely with each customer to develop exceptional solutions to the most difficult technical or economic challenges. This effort starts with the development of the initial design concepts and continues through to site erection assistance and commissioning of the supplied equipment.

Bachmann is committed to providing customers the latest and most innovative technology. Ensuring sound technology, Finite Element Analysis (FEA) is routinely performed to confirm designs will meet or exceed each customer's expectations. Our team is ready to serve you!



Gas Turbine Exhaust Systems

Bachmann's Combustion Turbine Exhaust Systems provide a complete package of equipment, from the turbine exhaust flange to the HRSG inlet flange. Depending upon the specific requirement, the systems are supplied as entire units or as individual components:

- Diffusers & Equalizers
- Transitions
- Diverters & Elbows
- Expansion Joints
- Blanking Guillotines and Plates
- Duct Extensions
- Bypass Stacks and Silencers
- Stack Dampers
- Louver Dampers

The state-of-the-art Bachmann Gas Flow Diverter (GFD) design is optimized to perform in accordance with today's demanding standards and to provide and maintain 100% isolation of the HRSG or Bypass Stack from the CT exhaust flow under normal operating conditions.



Expansion Joints

Bachmann's custom engineered Metallic Expansion Joints are designed in strict accordance with EJMA, ASME, B31.1 & B31.3 standards unless otherwise specified.

From simple flue-gas breaching arrangements to the highly engineered designs required for refinery FCCU critical service, **Bachmann has the necessary experience** and talent to provide solutions for the most difficult expansion joint problems.

Bachmann's Fabric Expansion Joints provide a proven solution for tough applications. Each flexible element (molded flanges, flat belt, or diaphragms) is designed for the specified temperature and chemical environment. Each metal frame design (hot frame, cold frame, telescoping liner) has specific longevity and application advantages.

Designed in accordance to your specific requirements and available in a full range of shapes, sizes, materials, and features, let our experts guide you to the best solution.



Aftermarket Sales & Service

Bachmann Industries offers support services well beyond the initial equipment design and manufacture. Bachmann's engineering & field service team are adept in performing damper and expansion joint upgrades and repairs to facilitate improved performance for customers suffering from underperforming equipment. Bachmann technicians perform hands-on system walk-downs and evaluations for all types of power and industrial plants. Specializing in objective, unbiased surveys on combustion systems, exhaust duct systems and associated components, typical surveys include:

- Installation Supervision
- Problem Solving/Troubleshooting
- Specification Development
- Efficiency Surveys
- Maintenance Surveys
- General Plant Survey

Dampers

Bachmann supplies a full range of expertly engineered and manufactured dampers to many industrial markets such as the Power industry, Pulp & Paper, Steel, Copper and Petrochemical & Refinery Processing. Typical damper applications include:

- Guillotines
- Poppets
- Butterflies
- Diverters
- Louvers
- Specialty

Bachmann's ISO series dampers provide excellent isolation, including zero-leakage. These dampers incorporate innovative seal, drive and actuation designs to increase performance and reliability while minimizing footprint and constructability, which are especially ideal for rough and dust-laden applications.

Bachmann's Patented 4-Port Diverter System provides an excellent Bypass System solution for those applications where precise change-over and control are required.

The innovative **Bachmann Tandem Seal Design**, providing 100% isolation, is the leading technical solution available in the market today. Applied to all styles of dampers, this advanced technology is being used to increase plant performance for our customers worldwide.

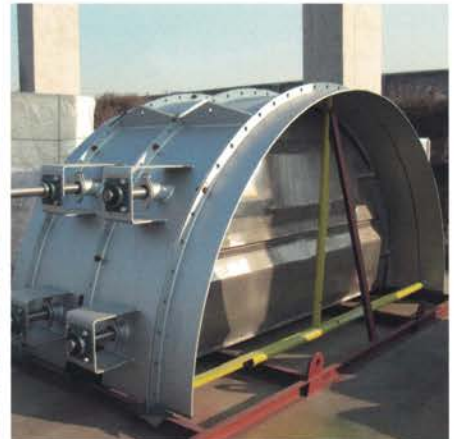


Excellence with Experience,
from Design to Installation and Operation



ISO 9001:2015

CERTIFICATE NUMBER: 51634



**BACHMANN
INDUSTRIES, INC.**

416 Lewiston Junction Road
PO Box 2150 (04211-2150)
Auburn, Maine 04210 U.S.A.

Tel: +1 207.784.1903 Fax: +1 207.784.1904
www.bachmannusa.com